

DeVINCI

Marshall Carbon

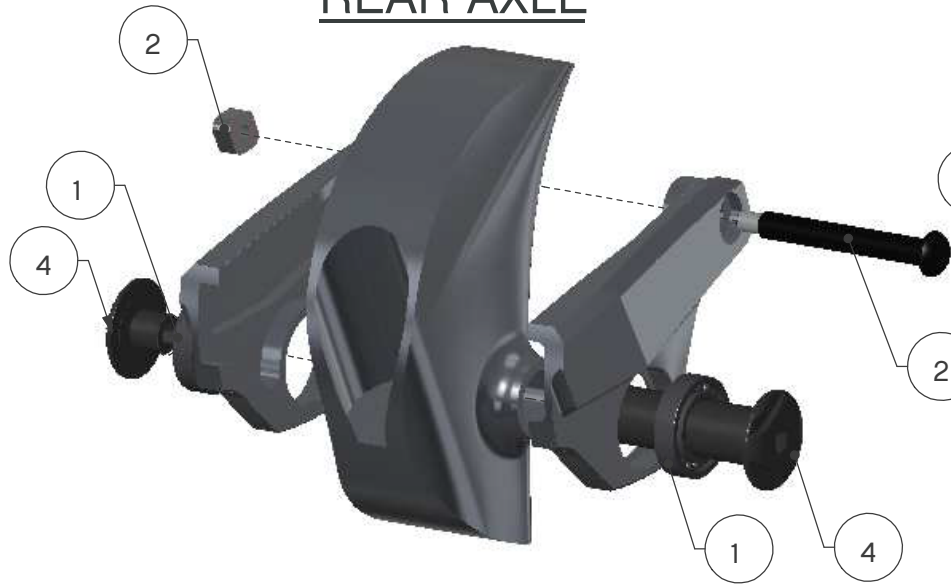
NO LOCTITE ON THIS PART, GREASE ONLY

MARSHALL CARBON		
ITEMS	#SERVICE KIT	DESCRIPTION
1	KFC11024	BEARING KIT SPLIT PIVOT
2	KFC16011-01	SPLIT PIVOT CARBON SHOCK BOLT BLACK
4	KFC11051	DERAILLEUR HANGER SPLIT PIVOT 12x142/148
5	KFC16015-01	PIVOT KIT SHAFT MARSHALL/DJANGOC/TROYC BK
6	KFC16009	CABLE GUIDE KIT SPARTAN, TROY, DJANGO, MARSHALL
7	KFC16053	FOAM KIT FOR INTERNAL ROUTING

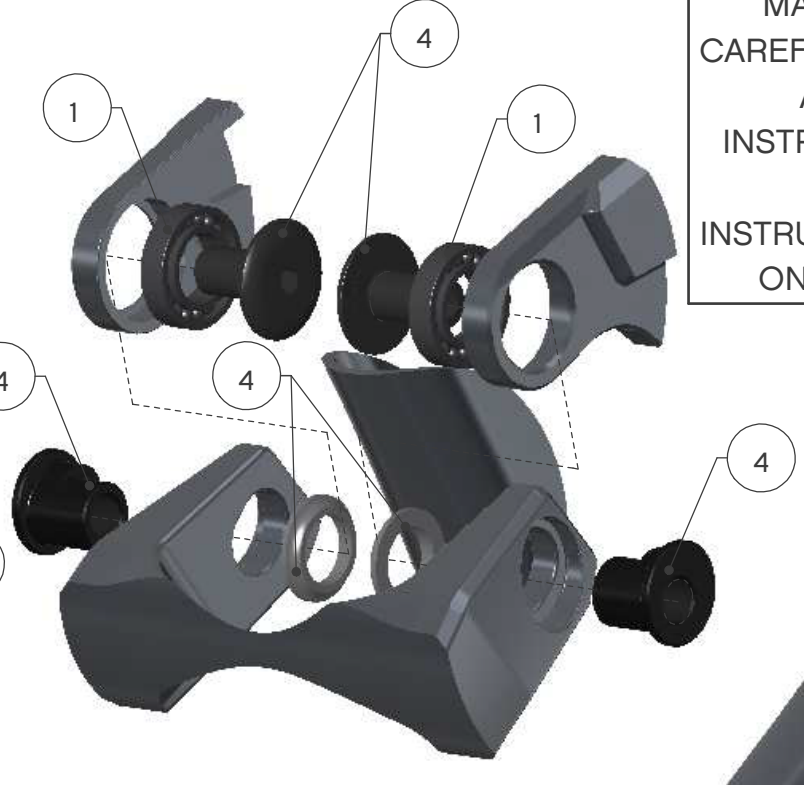
WARNING:
MAKE SURE TO CAREFULLY READ THE ASSEMBLY INSTRUCTIONS AND CLEANING INSTRUCTIONS NOTES ON NEXT PAGE.



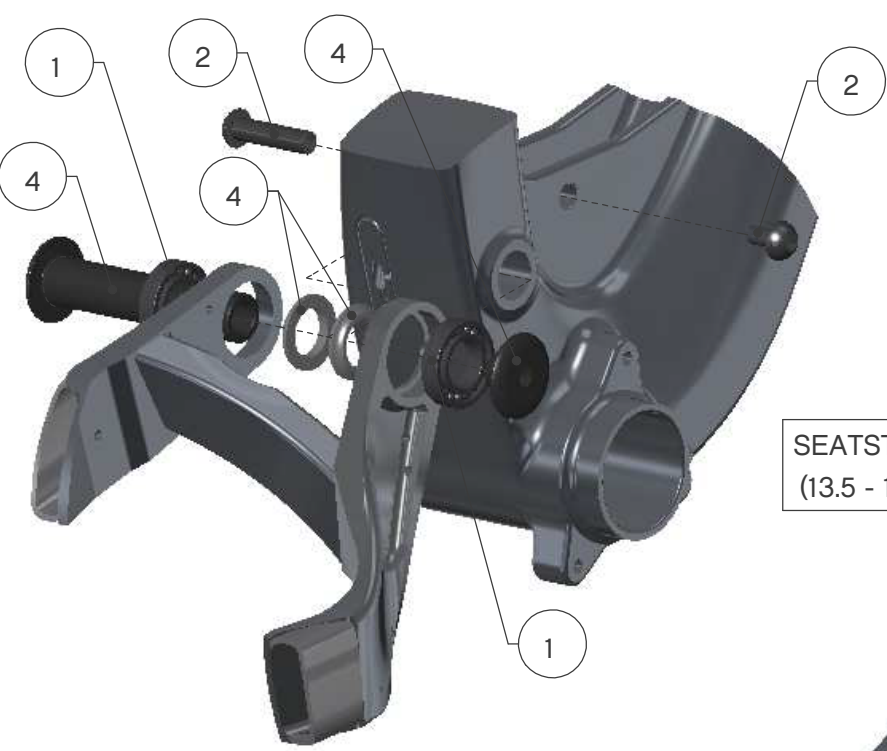
REAR AXLE



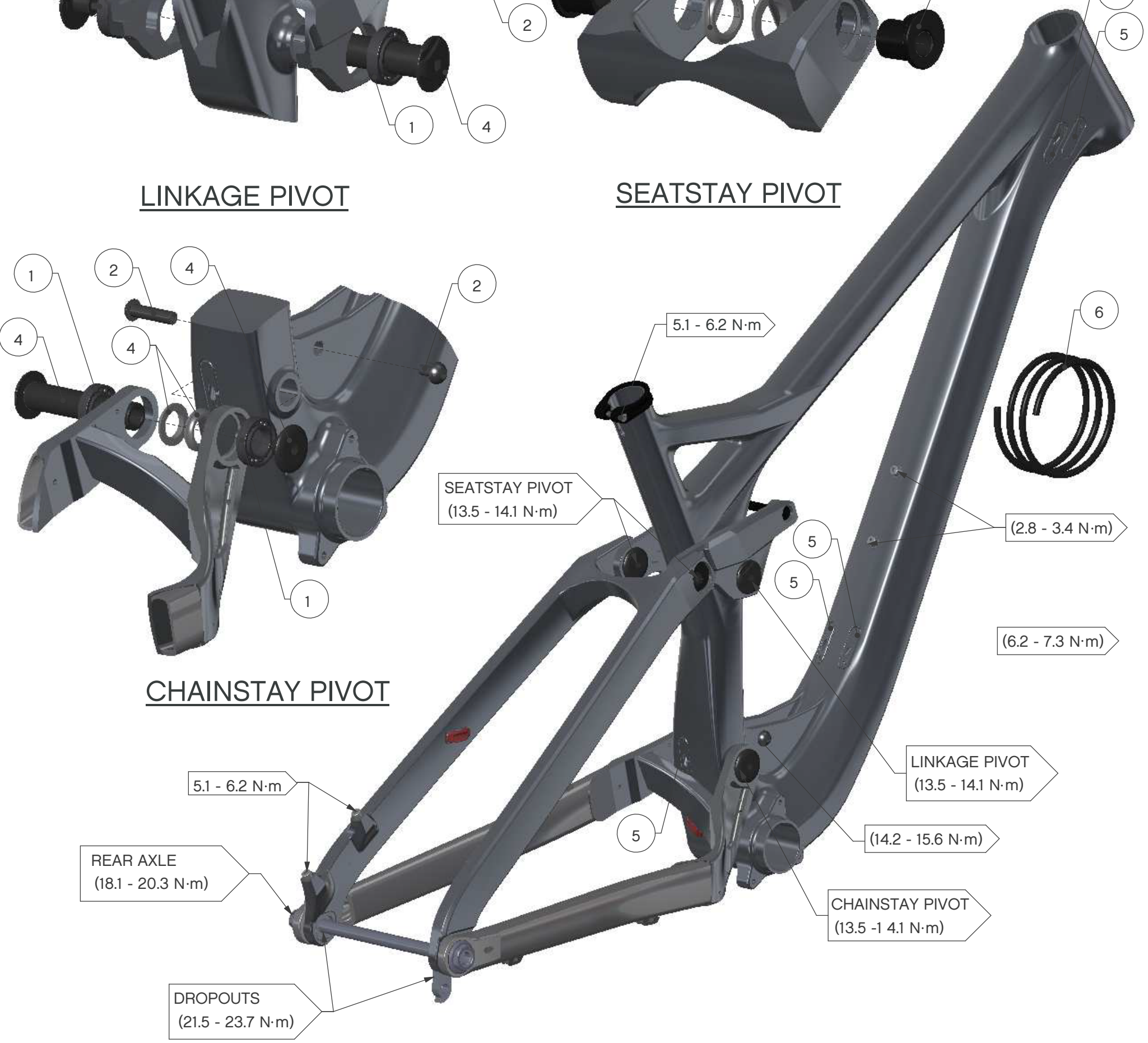
LINKAGE PIVOT



SEATSTAY PIVOT



CHAINSTAY PIVOT



ASSEMBLY INSTRUCTIONS:

- 1- THOROUGHLY CLEAN THE INTERIOR OF EACH BEARING HOUSING TO REMOVE ANY DIRT OR OLD GREASE;
- 2- APPLY HIGH QUALITY WATERPROOF GREASE ON THE INSIDE FACE AND INSIDE DIAMETER OF ALL BEARING HOUSINGS BEFORE PRESS-FIT;
- 3- APPLY HIGH QUALITY WATERPROOF GREASE TO ALL PIVOT PARTS THAT CONTACT WITH THE INNER DIAMETER OF THE BEARINGS (EX.: MFP11022);
- 4- APPLY HIGH QUALITY WATERPROOF GREASE TO ALL NON-THREADED METAL-TO-METAL INTERFACES (EX.:PLANAR FACE OF THE PIVOT SPACER (MFP11080) THAT CONTACTS THE LATERAL FACES OF THE FRONT TRIANGLE WL PIVOT). THESE INSTRUCTIONS ALSO APPLY TO THE SHOCK ASSEMBLY;
- 5- UNLESS OTHERWISE SPECIFIED, APPLY BLUE LOCTITE 242 ON ALL THREADS BEFORE ASSEMBLY TO THE SPECIFIED TORQUE VALUE;
- 6- TO PREVENT DAMAGE TO THE FRAME, THE SEATPOST MUST HAVE A MINIMUM INSERTION IN THE SEAT TUBE.

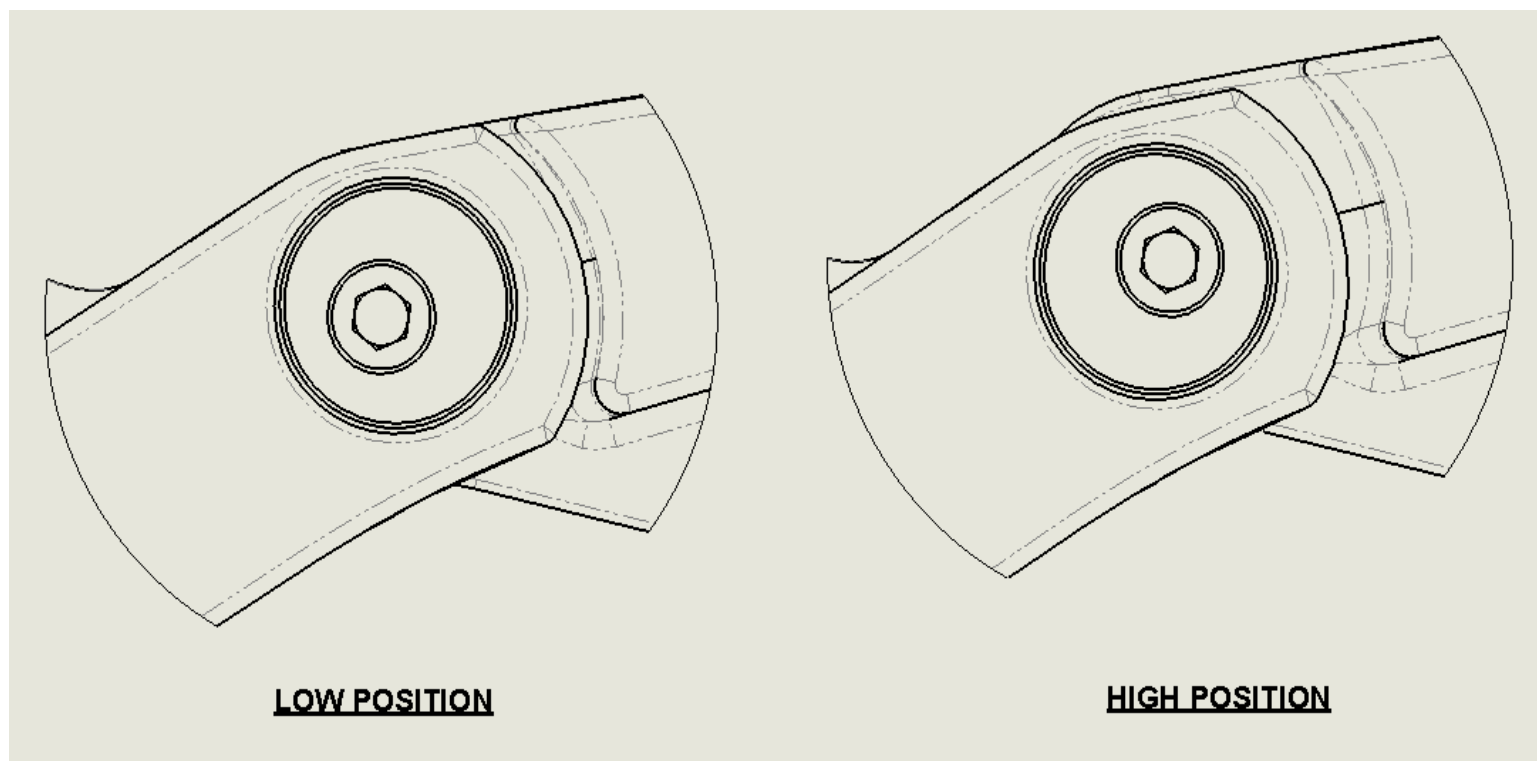
CARBON FRAME:

SMALL / MEDIUM - 70mm INSERTION
LARGE / X-LARGE - 100mm INSERTION

ALUMINIUM FRAME :

SMALL / MEDIUM / LARGE / X-LARGE - 100mm INSERTION

- 7- FRG ADJUSTABLE : THIS DESIGN ALLOWS RIDERS TO CHOOSE BETWEEN A LOW OR HIGH POSITION. WITH FRG ADJUSTABLE TECHNOLOGY, YOU CAN FINE-TUNE YOUR RIDE TO PERSONAL TASTES OR SPECIFIC TRAIL TYPES USING A FLIP-FLOP PIVOT MECHANISM THAT SLIGHTLY CHANGES THE BIKE'S GEOMETRY. FOR THE TROY CARBON, THIS ADJUSTMENT IS PROVIDED BY THE BL PIVOT ADJUSTER SHAFTS 16003, AS SHOWN BELOW.



CLEANING INSTRUCTIONS:

IT IS A WELL KNOWN FACT THAT A CLEAN BIKE PERFORMS BETTER. DEVINCI RECOMMENDS WASHING YOUR BIKE REGULARLY USING A BRUSH AND SOAPY WATER. HOWEVER, DEVINCI DO NOT RECOMMEND THE USE OF A PRESSURE WASHER, SINCE THIS MAY SIGNIFICANTLY REDUCE THE SERVICE LIFE OF BALL BEARINGS. EVEN THOUGH OUR BALL BEARINGS ARE EQUIPPED WITH HIGH QUALITY DOUBLE-LIP SEALS, HIGH PRESSURE WATER CAN STILL PASS THESE SEALS AND REMOVE THE GREASE INSIDE THE BEARING. THIS MAY CAUSE PREMATURE CORROSION AND WEAR OF THE BALL BEARINGS.