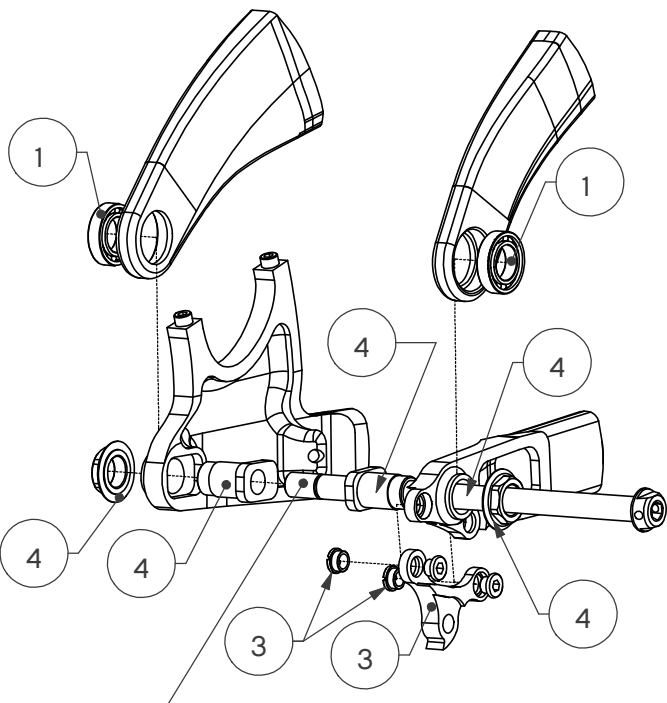


DeVINCI

Wilson

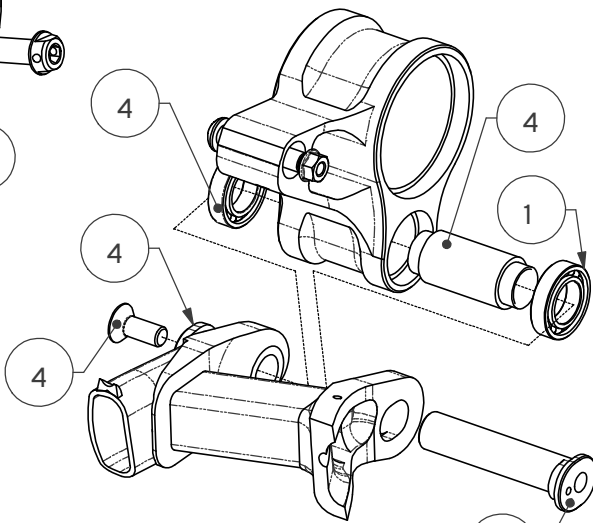
WILSON		
ITEMS	#SERVICE KIT	DESCRIPTION
1	KFC15016	BEARING KIT WILSON 27.5
2	KFC16012-01	SPLIT PIVOT WLSN 27.5 ALLOY SHOCK BOLT BLKVV
3	KFC11046	DERAILLEUR HANGER + BOLT KIT
4	KFC16030-07	PIVOT KIT SHAFT WILSON 27.5 ALLOY COAL
5	KFC15018	ALLOY SKID PLATE/BOLT KIT WILSON 27.5
5	KFC15019	CARBON SKID PLATE/BOLT KIT WILSON 27.5

**WARNING:**  
 MAKE SURE TO  
 CAREFULLY READ THE  
 ASSEMBLY  
 INSTRUCTIONS AND  
 CLEANING  
 INSTRUCTIONS NOTES  
 ON NEXT PAGE.



NO LOCTITE ON THIS PART, GREASE ONLY.

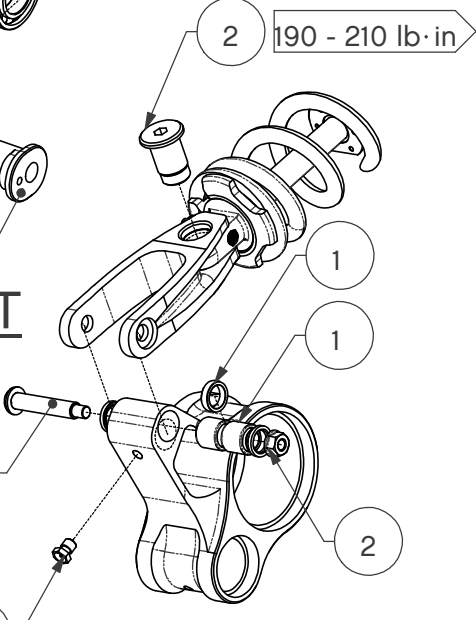
**REAR PIVOT**



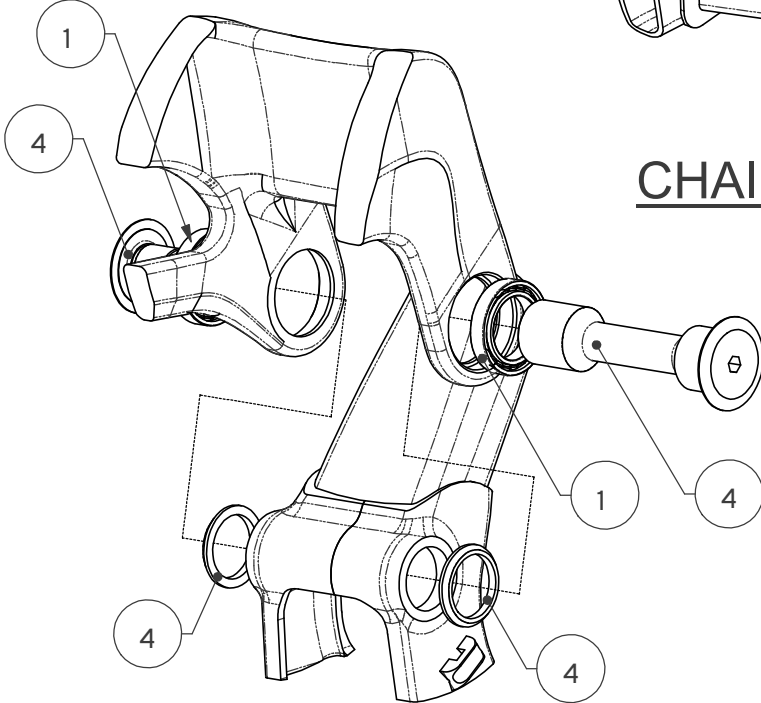
**CHAINSTAY PIVOT**

55 - 65 lb·in

50 - 60 lb·in



**LINKAGE PIVOT**



**SEATSTAY PIVOT**

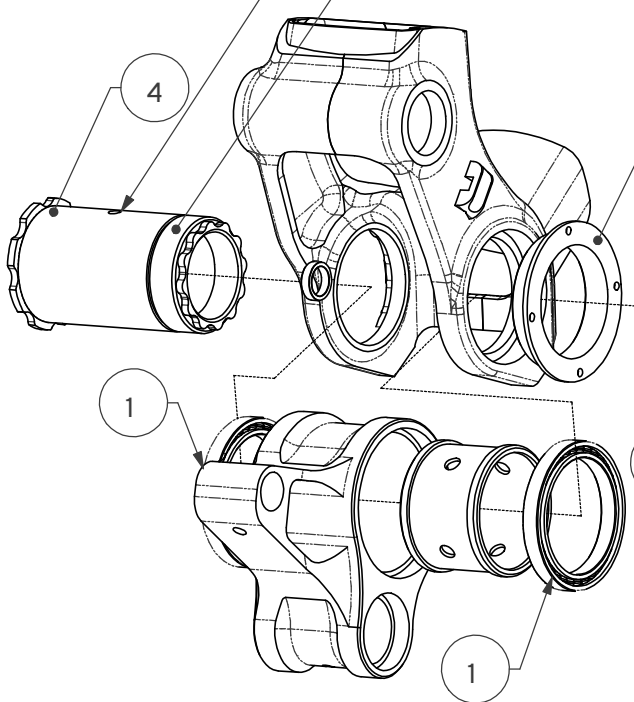
MAKE SURE TO PLACE THE BOTTOM BRACKET DRAINAGE HOLE IN LINE WITH THE VERTICAL AXIS.

NO LOCTITE ON THIS PART, GREASE ONLY.

NO LOCTITE ON THIS PART, GREASE ONLY.

45 - 55 lb·in

55 - 65 lb·in



**BB PIVOT**

DROPOUTS (190 - 210 lb·in)

REAR PIVOT (160 - 180 lb·in)

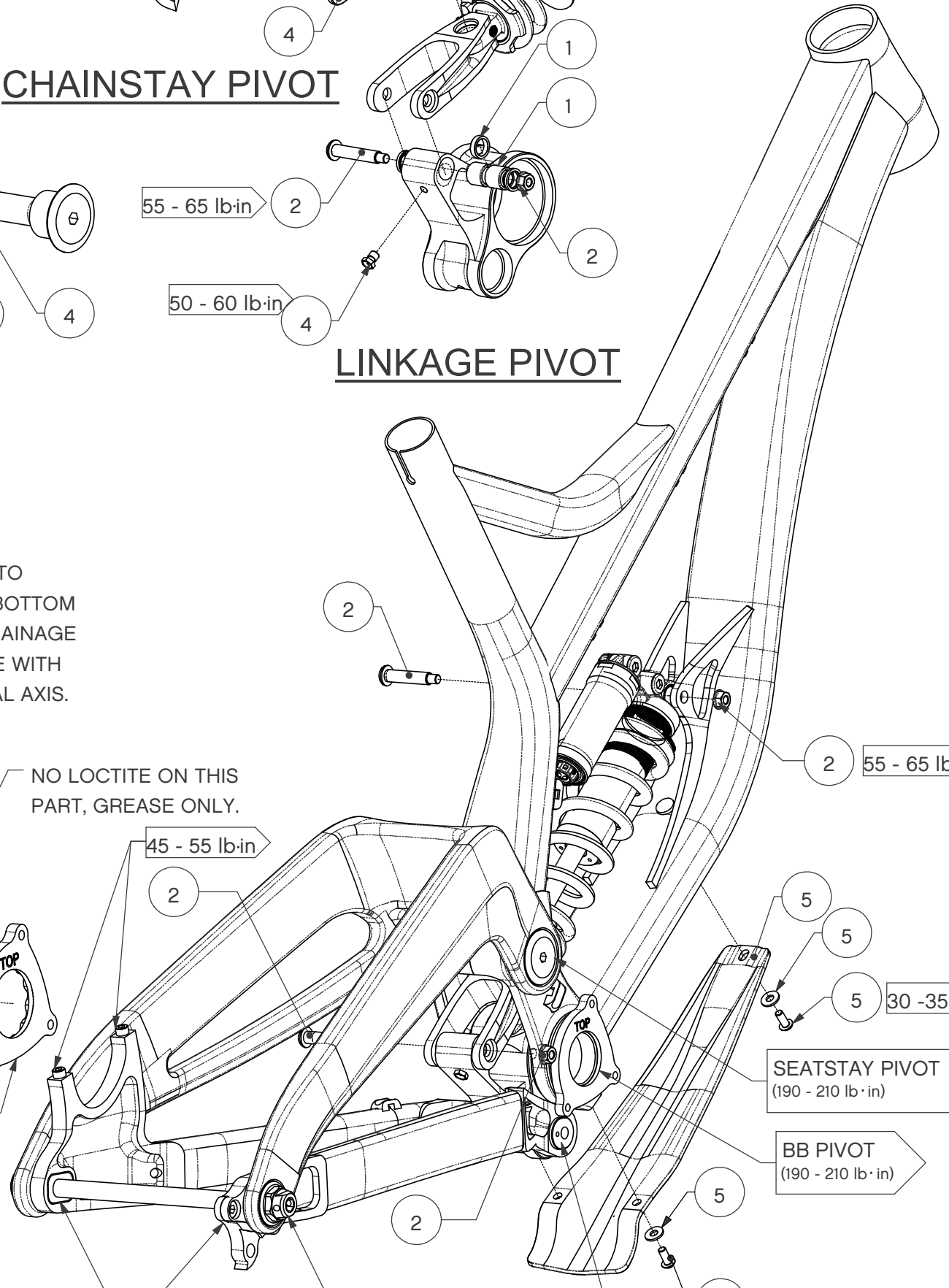
CHAINSTAY PIVOT (190 - 210 lb·in)

SEATSTAY PIVOT (190 - 210 lb·in)

BB PIVOT (190 - 210 lb·in)

30 - 35 lb·in

30 - 35 lb·in



ASSEMBLY INSTRUCTIONS:

- 1- THOROUGHLY CLEAN THE INTERIOR OF EACH BEARING HOUSING TO REMOVE ANY DIRT OR OLD GREASE;
- 2- APPLY HIGH QUALITY WATERPROOF GREASE ON THE INSIDE FACE AND INSIDE DIAMETER OF ALL BEARING HOUSINGS BEFORE PRESS-FIT;
- 3- APPLY HIGH QUALITY WATERPROOF GREASE TO ALL PIVOT PARTS THAT CONTACT WITH THE INNER DIAMETER OF THE BEARINGS;
- 4- APPLY HIGH QUALITY WATERPROOF GREASE TO ALL NON-THREADED METAL-TO-METAL INTERFACES (EX.: PLANAR FACOF THE SPACER MAIN PIVOT THAT CONTACTS THE LATERAL FACES OF THE FRONT TRIANGLE WL PIVOT). THESE INSTRUCTIONS ALSO APPLY TO THE SHOCK ASSEMBLY;
- 5- UNLESS OTHERWISE SPECIFIED, APPLY BLUE LOCTITE 242 ON ALL THREADS BEFORE ASSEMBLY TO THE SPECIFIED TORQUE VALUE;
- 6- THE RECOMMENDED REAR SHOCK'S RESERVOIR PRESSURE IS 125psi AND APPROX.THE SPRING RATE FOR ALL SIZES ARE AS FOLLOW:  
SMALL= 350 lb/in  
MEDIUM= 400 lb/in  
LARGE= 450 lb/in
- 7- TO PREVENT DAMAGE TO THE FRAME, THE SEATPOST MUST HAVE A MINIMUM INSERTION IN THE SEAT TUBE.

CARBON FRAME

SMALL / MEDIUM - 70mm INSERTION  
LARGE / X-LARGE - 100mm INSERTION

ALUMINIUM FRAME

SMALL / MEDIUM / LARGE / X-LARGE - 100mm INSERTION

CLEANING INSTRUCTIONS:

IT IS A WELL KNOWN FACT THAT A CLEAN BIKE PERFORMS BETTER. DEVINCI RECOMMENDS WASHING YOUR BIKE REGULARLY USING A BRUSH AND SOAPY WATER. HOWEVER, DEVINCI DO NOT RECOMMEND THE USE OF A PRESSURE WASHER, SINCE THIS MAY SIGNIFICANTLY REDUCE THE SERVICE LIFE OF BALL BEARINGS. EVEN THOUGH OUR BALL BEARINGS ARE EQUIPPED WITH HIGH QUALITY DOUBLE-LIP SEALS, HIGH PRESSURE WATER CAN STILL PASS THESE SEALS AND REMOVE THE GREASE INSIDE THE BEARING. THIS MAY CAUSE PREMATURE CORROSION AND WEAR OF THE BALL BEARINGS.